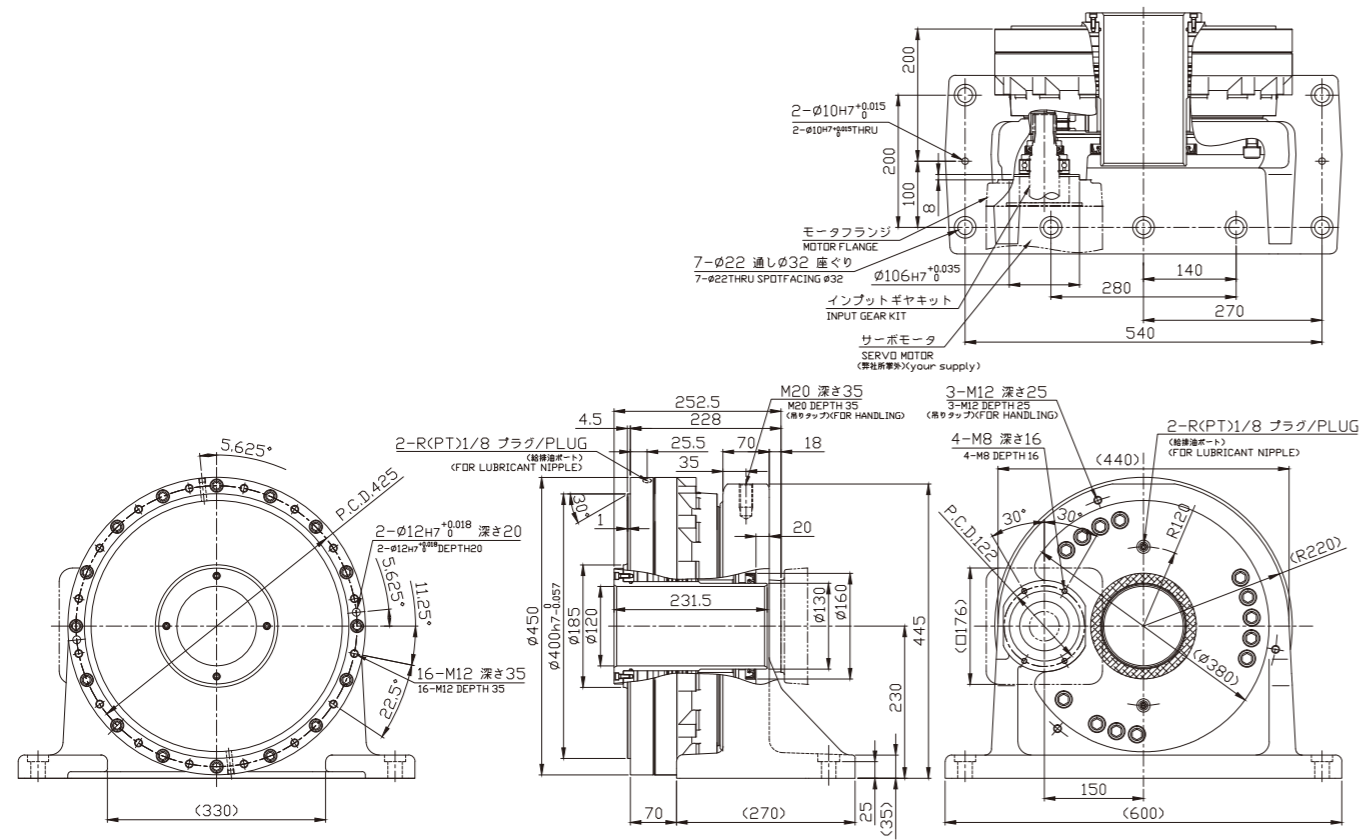




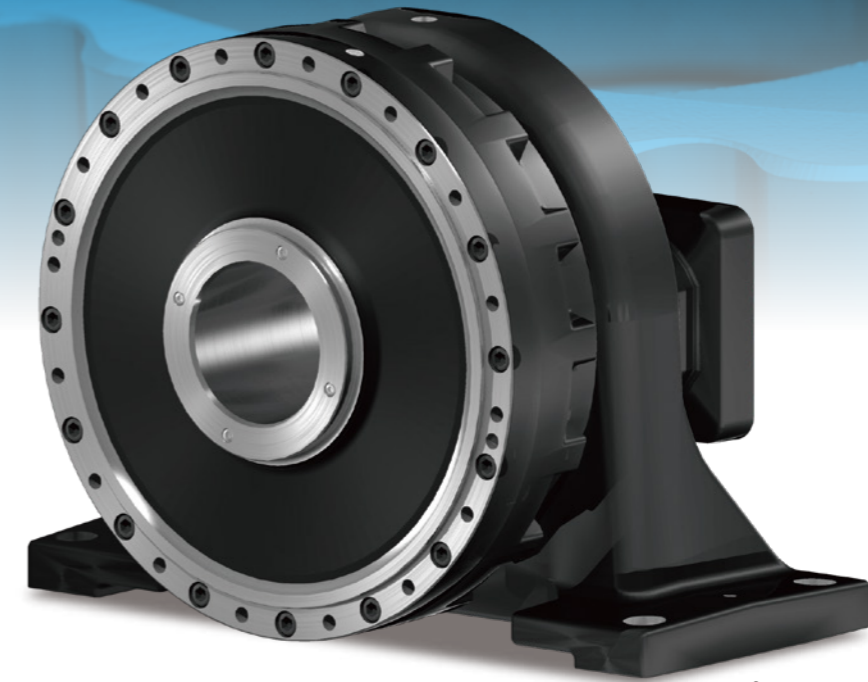
External dimensions



* Specifications are subject to change without prior notice to improve the product.
 * Please consult us separately when an external dimensional drawing with the motor is required.

©2022 Nabtesco

RH-320CA Foot Type



©2017 Nabtesco



Slim profile, integrated foot design, high hollow (φ120), lubricant charged

Gear head of high precision, high torque, and high moment type

Ideal for large BBQ positioners with its integrated foot design

RV[®] RH-320CA



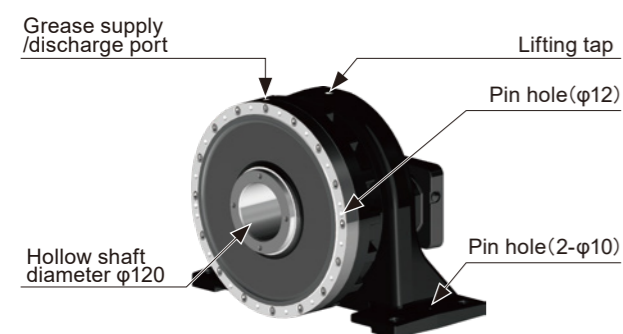
Features

- **Gear head based on the precision reduction gear RV™ having a track record for industrial robots**
High precision, high rigidity and high reliability → Improvement of welding quality
- **Integrated foot design enables easy mounting to the system**
Reduction in manhours for design and manufacturing
- **A slim profile shortens the system width**
Contributes to space saving at plants
- **High hollow diameter (φ120mm)**
Can pass a wide range of wiring and pipes
- **Servo motors by various companies can be mounted**
External shaft motors for robots by various companies can be mounted

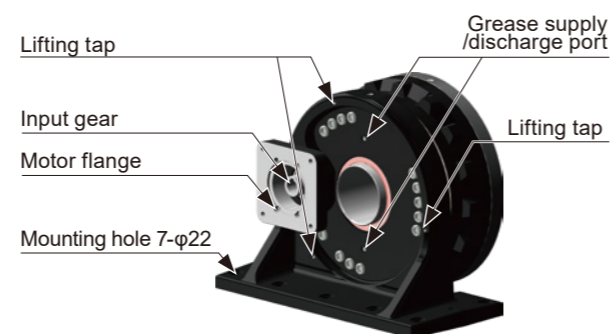
Specification Table

Model	RH-320CA	Allowable moment	20,580 Nm
Rated torque	3,136 Nm	Momentary maximum allowable moment	39,200 Nm
Allowable acceleration/deceleration torque	7,840 Nm	Backlash	Max. 1 arc.min.
Momentary maximum allowable torque	15,680 Nm	Reduction ratio	152
Allowable output speed (forward/reverse switching)	25 rpm	Operating range	Endless
Allowable output speed (forward/reverse switching, duty : 35%)	64 rpm	Weight (without motor flange, input gear)	212 kg

Name of each section



©2021 Nabtesco



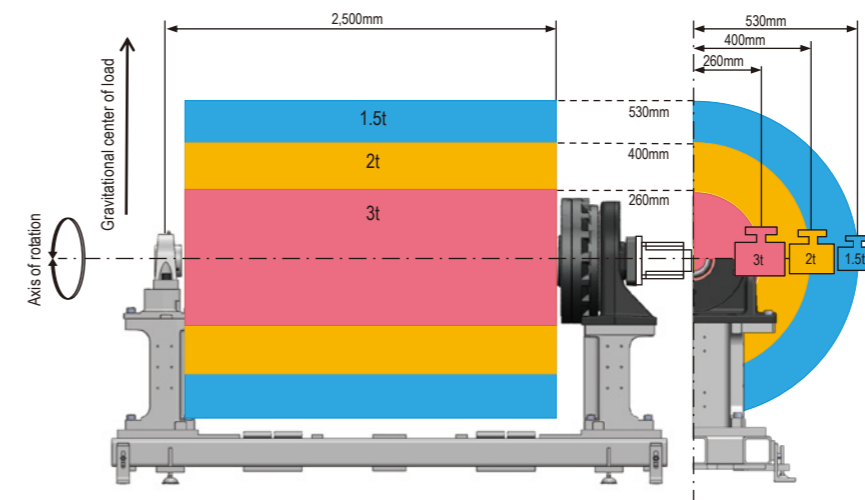
©2021 Nabtesco

Center of Gravity Height and Allowable Load Range

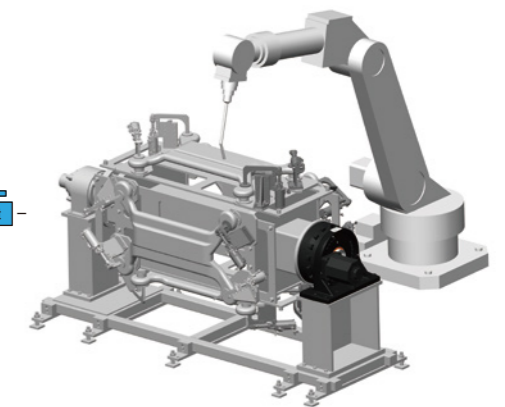
©2017 Nabtesco

- * When operated out of the scope of use, the allowable moment may be exceeded, leading to a breakage of the reduction gear.
- * The carrying capacities shown in this brochure are reference values only.

Supported on both ends

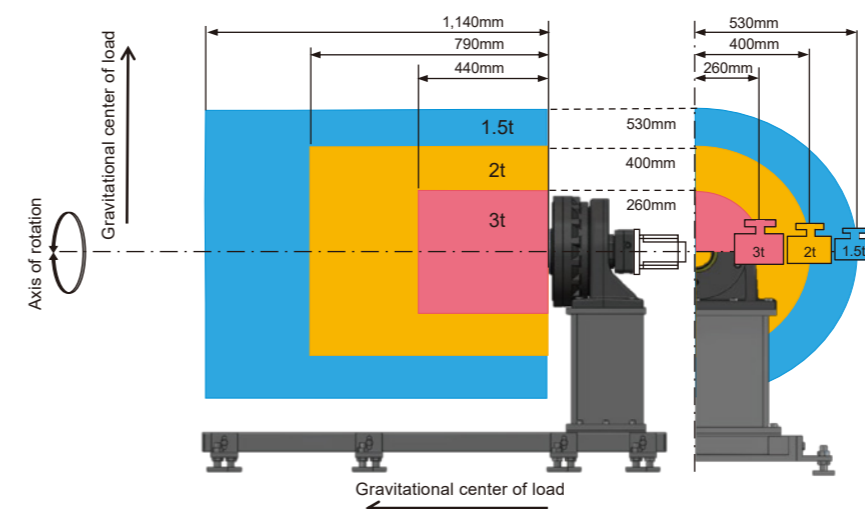


Application

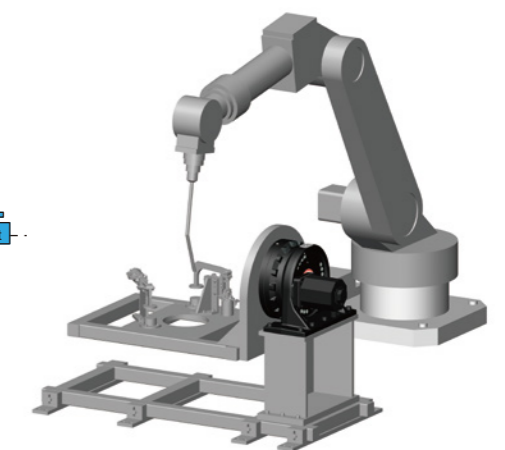


©2022 Nabtesco

Supported with single end



Application



©2022 Nabtesco